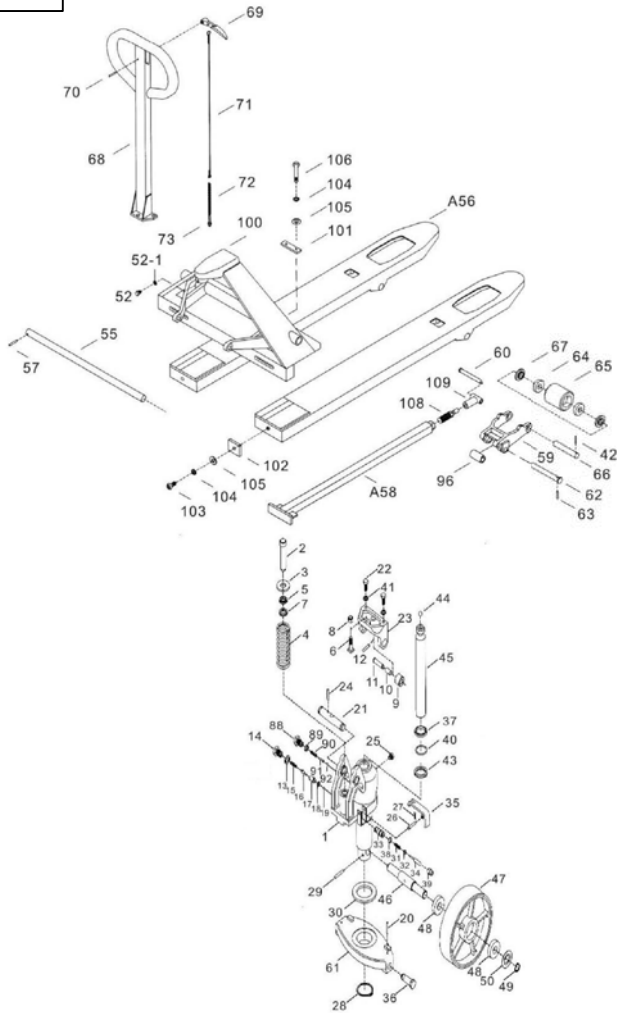


272747



REPLACEMENT KITS LIST			
WESCO P/N	KEY NO.	DESCRIPTION	QTY
SEAL KIT: 270158	5	DUST SEAL	1
	7	CUP PACKING	1
	13	PACKING	1
	15	SPRING	1
	18	"O" RING	1
	19	BALL	1
	20	SPRING PIN	2
	27	PIN	1
	31	SPRING	1
	32	"O" RING	1
	37	DUST SEAL	1
	40	"O" RING	1
	43	CUP PACKING	1
			OIL PLUG "O" RING
HANDLE SET KIT: 270141	68	COATED HANDLE	1
	69	RELEASE HANDLE	1
	70	SPRING PIN	1
	71	RELEASE ROD	1
	72	CHAIN	1
HANDLE BASE KIT: 270105	73	NUT	1
	9	ROLLER	1
	10	BUSHING	1
	11	AXLE	1
	12	BALL	1
HANDLE RELEASE ASS'Y KIT: 270155	22	SCREW	3
	23	HANDLE BASE	1
	69	RELEASE HANDLE	1
270784	71	RELEASE ROD	1
	72	CHAIN	1
	73	NUT	1
		ADJUSTMENT WRENCH	1

DELUXE PALLET TRUCKS

- 5 Year pump warranty
- 5,500 lbs capacity
- Pump overload bypass
- Rubber coated handle
- Adjustable fork tie rods
- Exit rollers
- 200° steering
- Tapered fork tips
- 8 gauge 6" wide reinforced forks

Deluxe Adjustable Models

- 7" moldon polyurethane steering wheel.
- 3" moldon polyurethane load wheels.
- 7.75" raised height.
- 3" lowered height.
- 6" wide forks.

REPLACEMENT PARTS LIST			
WESCO P/N	KEY NO.	DESCRIPTION	QTY
270134	46	WHEEL SHAFT	1
270785	47	STEERING WHEEL	2
270273	48	BALL BEARING	4
270137	49	LOCKING RING	2
270314	50	CAP	2
270581	52	SCREW	1
270575	55	PIVOT ROD	1
	A56	FORK	2
270272	57	SPRING PIN	1
	A58	ADJUSTABLE TIE ROD	2
270263	59	LOAD WHEEL YOKE	1
270264	60	PIN	1
270284	61	YOKE	1
270144	62	AXLE	1
270266	63	SPRING PIN	1
270273	64	BALL BEARING	4
270288	65	LOAD WHEEL	2
270145	66	AXLE	1
270289	67	NYLON COVER	4
270819	68	COATED HANDLE	1
KITS ONLY	69	RELEASE HANDLE	1
270157	70	SPRING PIN	1
270146	71	RELEASE ROD	1
KITS ONLY	72	CHAIN	1
270148	73	NUT	1
270828	88	SCREW	1
270829	89	PACKING	1
270830	90	SPRING	1
270831	91	CONE	1
270832	92	BALL	1
270821	96	EXIT ROLLER	1
	100	BONNET FRAME	1
270794	101	SPRING PIN	2
270790	102	FIXITY	2
270777	103	SCREW	2
270778	104	SPRING WASHER	6
270779	105	WASHER	6
270780	106	SCREW	4
270782	*108	ADJUST SCREW (OLD STYLE)	2
270787		ADJUST SCREW (NEW STYLE)	2
270783	109	ADJUST SCREW NUT	2

REPLACEMENT PARTS LIST			
WESCO P/N	KEY NO.	DESCRIPTION	QTY
270150	1	HYDRAULIC PUMP WITH BYPASS	1
270101	2	PLUNGER	1
270578	3	CAP WASHER	1
270102	4	SPRING	1
270103	5	DUST SEAL	1
270313	6	HANDLE BASE BOLT	1
270104	7	CUP PACKING	1
270236	8	NUT	1
SEAL KIT ONLY	13	PACKING	1
270107	*14	SCREW (OLD STYLE)	1
270855		SCREW (NEW STYLE)	1
SEAL KIT ONLY	15	SPRING	1
270109	16	VALVE CONE	1
270110	17	VALVE HOUSING	1
SEAL KIT ONLY	18	"O" RING	1
SEAL KIT ONLY	19	BALL	1
270113	20	SPRING PIN	2
270114	21	AXLE	1
270115	22	HANDLE SCREW, WASHER & NUT	3
270105	23	HANDLE BASE	1
270116	24	SPRING PIN	1
270117	25	OIL PLUG	1
270118	26	AXLE PIN	1
270119	27	PIN	1
270120	28	LOCKING RING	1
270121	29	SPRING PIN	1
270122	30	THRUST BEARING	1
SEAL KIT ONLY	31	SPRING	1
SEAL KIT ONLY	32	"O" RING	1
270576	33	RELIEF CYLINDER	1
270125	34	RELEASE PISTON	1
270126	35	LOWERING ARM	1
270127	36	TABLE BOLT	2
SEAL KIT ONLY	37	DUST SEAL	1
270268	38	"O" RING	1
270267	39	RUBBER BOOT	1
SEAL KIT ONLY	40	"O" RING	1
270115	41	WASHER	2
270265	42	LOAD WHEEL PIN	2
SEAL KIT ONLY	43	CUP PACKING	1
270132	44	BALL	1
270133	45	RAM PISTON	1

P/N 272747
 Fork WxL: 16"-20" x 36"
 Weight: 147.5 lbs
 Capacity: 5,500 lbs

*"Old Style" items for trucks received before 11/14/14 and the "New Style" items is for any trucks received after 11/14/14.

THIS DRAWING IN ALL PARTICULARS IS WESCO INDUSTRIAL PRODUCTS INC. PROPERTY. ALL RIGHTS OF DESIGN, INVENTION OR USE OF ARE RESERVED.

PRINT ISSUED

MAY 13, 2016

WESCO MANUFACTURING
 ENGINEERING DEPARTMENT

REV.	EON & DATE	REVISIONS	WESCO INDUSTRIAL PRODUCTS INC. NORTH WALES PENNA. 19454			
			PART NAME	DRAWN:		
			Adjustable Pallet Truck Fork Model 16-20 x 36	CHECKED:		
			TOLERANCE UNLESS OTHERWISE SPECIFIED	APP. ENGR.		
			FRACTION	3 PLACE DECIMAL	2 PLACE DECIMAL	SCALE:
			± 1/64	± .005	± .01	
			ANGULAR ± 1-1/2'	SHEET	1 OF 1	
			BREAK ALL SHARP EDGES AND REMOVE ALL BURRS			
			B- 272747			REV